

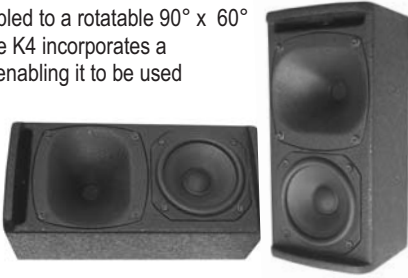
CODA

C O D A A U D I O

K-Series Manual

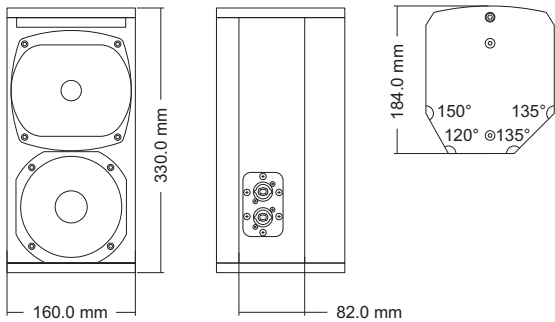
K4

The Coda Audio K4 is an ultra compact versatile, full range, 2-way loudspeaker system that features a 5-inch ultra low distortion low frequency driver and 1-inch compression driver coupled to a rotatable 90° x 60° elliptical waveguide. The K4 incorporates a multi-design enclosure enabling it to be used horizontal, vertical or as a floor monitor. The addition of flying hardware as standard together with the ability to rotate the elliptical waveguide allows multipurpose applications.



TECHNICAL SPECIFICATIONS:	
Type:	Ultra compact 2-way full range system
Main Application:	Top and stage monitor
Frequency Response:	80Hz – 30kHz (-3dB)
Power Handling (AES):	125W
Program Power:	250W
Peak Power:	500W
Sensitivity:	92dB
Max SPL peak:	118dB
Dispersion:	90° x 60°
Components:	
Low frequency speaker:	5"/ 1.5" VC ultra low distortion
High frequency driver:	1"/1.5" VC driver
Crossover point:	1600Hz passive
Nominal impedance:	16Ω
Input connectors:	2xNeutrik™ NL4MP internal loop
Enclosure:	12mm Baltic birch plywood
Net weight:	6kg
Dimensions:	160 x 330 x 184mm

Dimension drawing:



Controller: AC24UC
Suitable Subwoofer: PW12, PW12A

Accessoires and Flying hardware drawings:



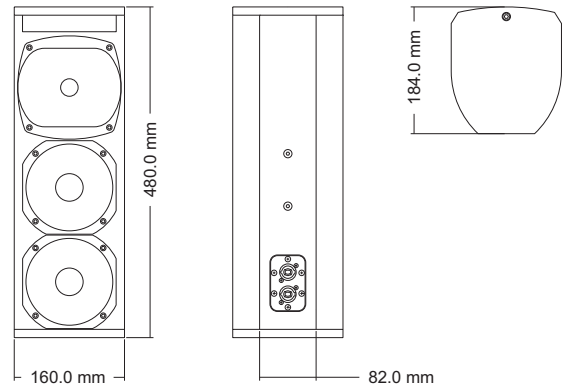
K5

The Coda Audio K5 is an ultra compact full range 2-way loudspeaker system that features double 5-inch ultra low distortion cone drivers and a 1-inch compression driver coupled to a rotatable 90° x 60° elliptical waveguide. The addition of M6 flying points as a standard together with the ability to rotate the elliptical waveguide allows multipurpose applications.



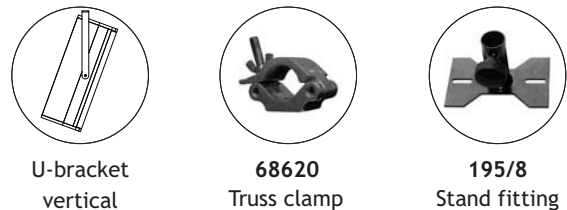
TECHNICAL SPECIFICATIONS:	
Type:	Ultra compact 2-way full range system
Main Application:	Top
Frequency Response:	80Hz – 30kHz (-3dB)
Power Handling (AES):	250W
Program Power:	500W
Peak Power:	1000W
Sensitivity:	94dB
Max SPL peak:	124dB
Dispersion:	90° x 60°
Components:	
Low frequency speaker:	2x 5"/ 1.5" VC ultra low distortion
High frequency driver:	1.5" VC driver
Crossover point:	1600Hz passive
Nominal impedance:	16Ω
Input connectors:	2xNeutrik™ NL4MP internal loop
Enclosure:	12/15mm Baltic birch plywood
Net weight:	8kg
Dimensions:	160 x 480 x 184mm

Dimension drawing:



Controller: AC24UC
Suitable Subwoofer: PW12, PW12A

Accessoires and Flying hardware drawings:



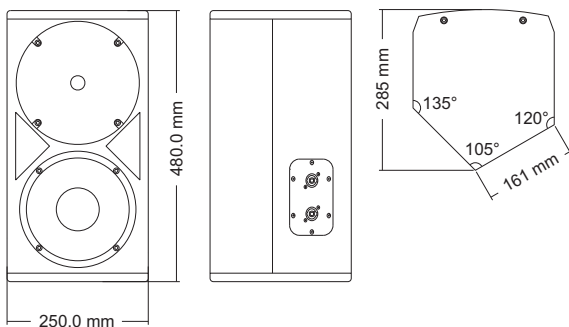
K189/K189 Pro

The CODA Audio K189 is a compact, full range, high output loudspeaker system that offers both high fidelity and high efficiency for variety of applications. The asymmetric profile of the K189/K189Pro permits use as a Front of House P.A. System or as a Stage Monitor.



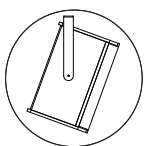
TECHNICAL SPECIFICATIONS:	
Type:	Ultra compact 2-way full range system
Main Application:	Top and stage monitor
Frequency Response:	60Hz – 30kHz (-3dB)
Power Handling (AES):	150W
Program Power:	300W
Peak Power:	600W
Sensitivity:	94.5dB
Max SPL peak:	122dB
Dispersion:	90° conical
Components:	
Low frequency speaker:	8"
High frequency driver:	1" driver
Crossover point:	1900Hz
Nominal impedance:	8Ω (K189) / 16Ω (K189Pro)
Input connectors:	2xNeutrik™ NL4MP internal loop
Enclosure:	15mm plywood
Net weight:	11.2kg (K189) / 13kg (K189Pro)
Dimensions:	250 x 480 x 285mm

Dimension drawing:



Controller: AC24S
Suitable Subwoofer: PW112, PW118, PW18A

Accessoires and Flying hardware drawings:



U-bracket
vertical



68620
Truss clamp

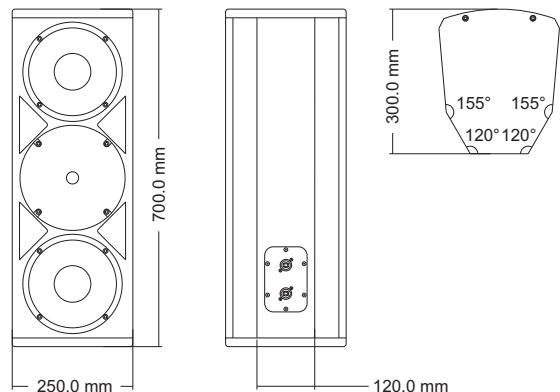
K289/K289 Pro

The Coda Audio K289 contains a pair of low frequency 8-inch cone drivers with 2-inch voice coils, and a 1-inch high frequency driver mounted on a 90° conical waveguide. All Pro enclosures include 14 M6 mounting suspension points and an air cargo flying track.



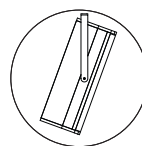
TECHNICAL SPECIFICATIONS:	
Type:	Ultra compact 2-way full range system
Main Application:	Top
Frequency Response:	55Hz – 30kHz (-3dB)
Power Handling (AES):	300W
Program Power:	600W
Peak Power:	1200W
Sensitivity:	97.5dB
Max SPL peak:	128dB
Dispersion:	90° conical (289)
Components:	
Low frequency speaker:	2x 8"
High frequency driver:	1" driver
Crossover point:	1900Hz
Nominal impedance:	4Ω (K289) / 16Ω (K289Pro)
Input connectors:	2xNeutrik™ NL4MP internal loop
Enclosure:	15mm plywood
Net weight:	17kg (K289) / 18kg (K289Pro)
Dimensions:	250 x 700 x 300mm

Dimension drawing:



Controller: AC24S
Suitable Subwoofer: PW115, PW118, PW18A

Accessoires and Flying hardware drawings:



U-bracket
vertical



68620
Truss clamp

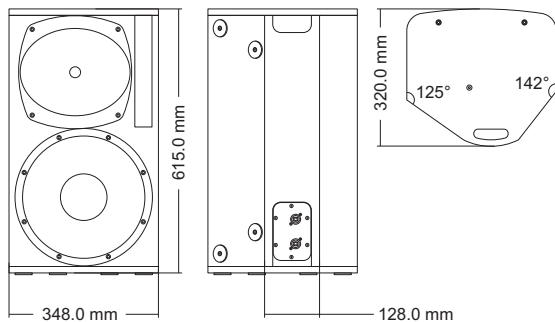
K12v2

The Coda Audio K12 is a versatile, full range, two-way loudspeaker system that features a high power 12-inch neodymium woofer and a 1-inch neodymium compression driver coupled to an 80° x 60° rotatable elliptical waveguide. The K12 incorporates a multi-design enclosure fitted with M6 threaded points for use with an optional U-bracket and includes an integral top hat.



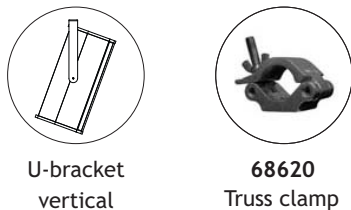
TECHNICAL SPECIFICATIONS:	
Type:	Compact 2-way full range system
Main Application:	Top and stage monitor
Frequency Response:	60Hz – 21kHz (-3dB)
Power Handling (AES):	500W
Peak Power:	2000W
Sensitivity:	99dB
Max SPL peak:	132dB
Dispersion:	80° x 60°
Components:	
Low frequency speaker:	12" neodymium woofer 3" (77 mm) VC, 500 W (AES)
High frequency driver:	1" neodymium compression driver 1.75" (44.4 mm) VC, 80 W
Crossover point:	1200Hz Passive
Nominal impedance:	8Ω
Input connectors:	2xNeutrik™ NL4MP internal loop
Enclosure:	15/18mm plywood
Net weight:	18kg
Dimensions:	348 x 615 x 320mm

Dimension drawing:



Controller: AC24M
Suitable Subwoofer: PW115, PW118, PW18A

Accessoires and Flying hardware drawings:



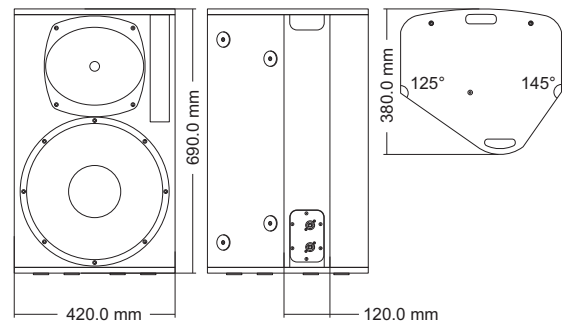
K15v2

The Coda Audio K15 is a versatile, full range, two-way loudspeaker system that features a high power 15-inch neodymium woofer and a 1-inch neodymium compression driver coupled to an 80° x 60° rotatable elliptical waveguide.



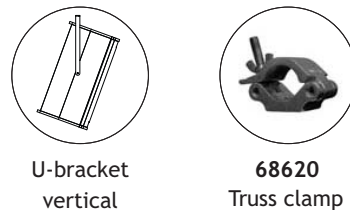
TECHNICAL SPECIFICATIONS:	
Type:	Compact 2-way full range system
Main Application:	Top and stage monitor
Frequency Response:	50Hz – 21kHz (-3dB)
Power Handling (AES):	500W
Peak Power:	2000W
Sensitivity:	99dB
Max SPL peak:	132dB
Dispersion:	80° x 60°
Components:	
Low frequency speaker:	15" neodymium woofer 3" (77 mm) VC, 500 W (AES)
High frequency driver:	1" neodymium compression driver 1.75" (44.4 mm) VC, 80 W
Crossover point:	1200Hz Passive
Nominal impedance:	8Ω
Input connectors:	2xNeutrik™ NL4MP internal loop
Enclosure:	15 mm plywood
Net weight:	22kg
Dimensions:	420 x 690 x 380mm

Dimension drawing:



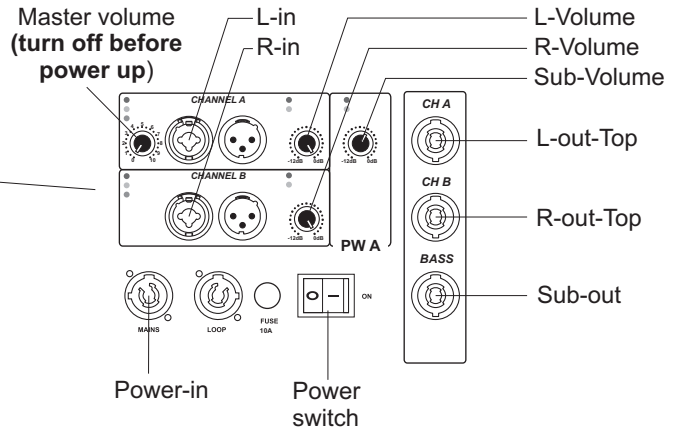
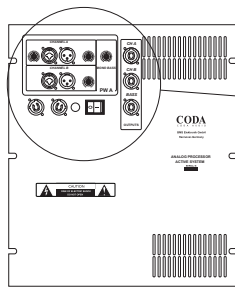
Controller: AC24L
Suitable Subwoofer: PW115, PW118, PW18A

Accessoires and Flying hardware drawings:

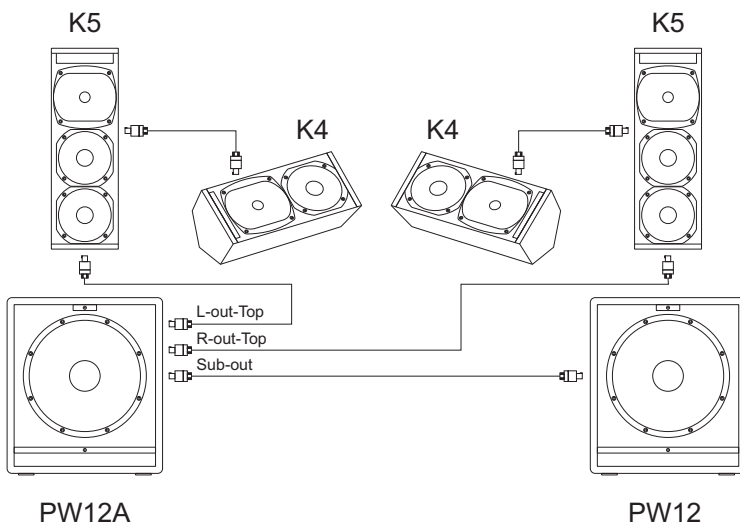


How to use the PW12A, PW15A and PW18A – System Subwoofer

Back of PW12A, PW15A-Pro, PW18A



D-core 2.2 mobile

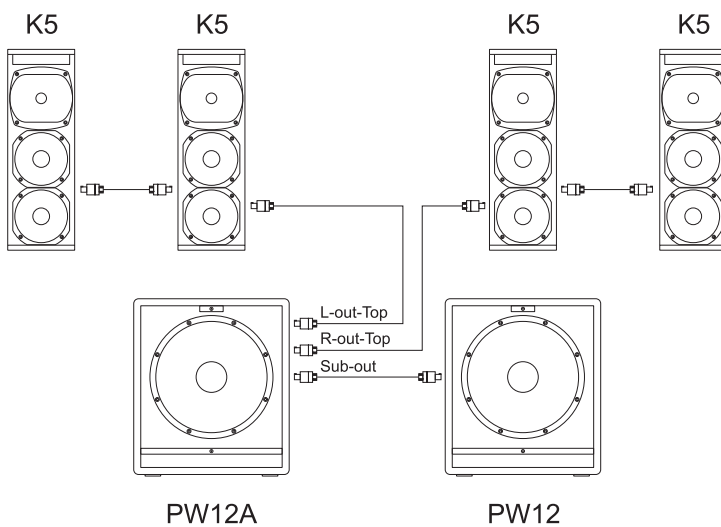


Applications: Ultra compact Active PA and stage monitor System for Solo-Entertainer, Duos, Unplugged, mobile DJ

PW12A, PW15A-Pro, PW18A, PW18A-Pro

Active tri-amp system subwoofers with amplifier outlets for passive tops contain 1.600W amplification and analogue processor including crossovers, limiters, EQ's etc for a complete stereo Sub/Sat system.

D-core 2.5 install

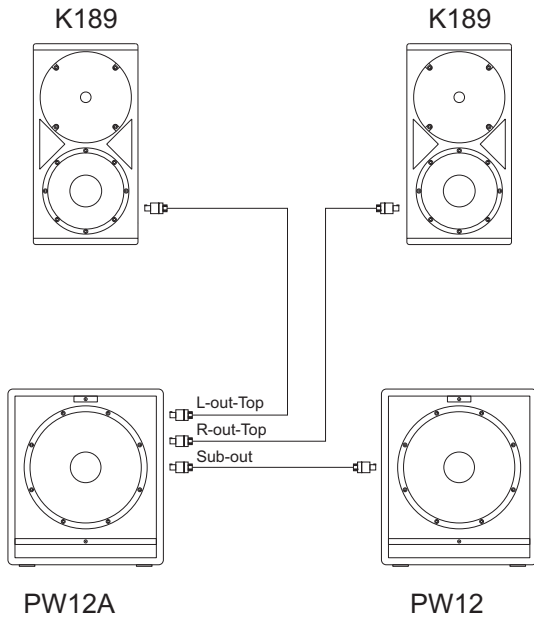


Applications: Active four point installation system for Bistros, Restaurants, Pubs, Shopping Centers, Convention Centers, Multimedia, Houses of worship, Conferences or Corporate events

System integration: Optimized to work together with the K-series cabinets, the PW-series active system subwoofers can be connected to different mid-high loudspeakers depending on the venue size, music or visual requirements to build a complete stereo Sub/Sat system while replacing multiple 19" audio gear and eliminate the need of external racks.

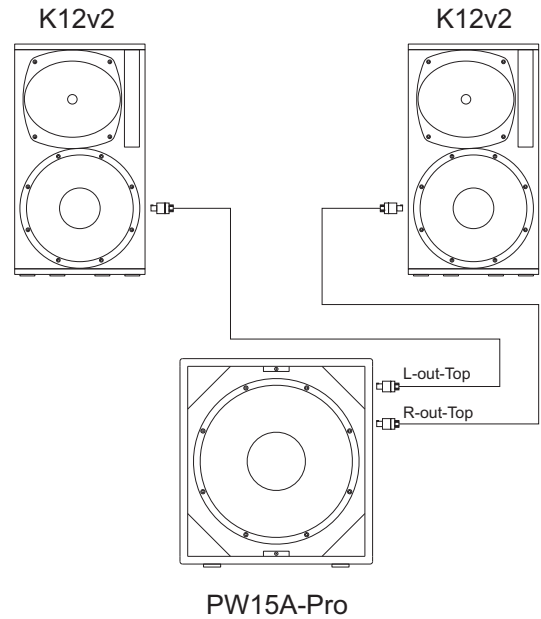
How to use the PW12A, PW15A and PW18A – System Subwoofer

D-core 2.3 mobile



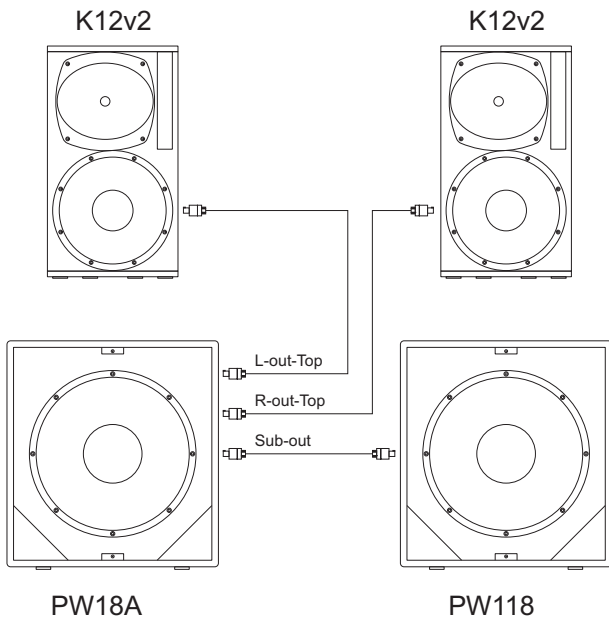
Applications: Ultra compact Active PA-System for Solo-Entertainer, Duos, unplugged, mobile DJ, Corporate events

D-core 5.2 mobile



Applications: Ultra compact Active PA-System for Rental Companies, Show and Cover bands, optimal dimension to power ratio, fits in a car.

D-core 8.3 mobile



Applications: Compact Active PA-System for Rental Companies, Show and Cover bands.

CODA AUDIO

Boulevard der EU 6
30539 Hannover - Expo Park
Germany

phone: +49 (0) 511 - 879 38 98

fax: +49 (0) 511 - 879 39 01

E-mail: info@bmselektronik.de

internet: www.codaaudio.com